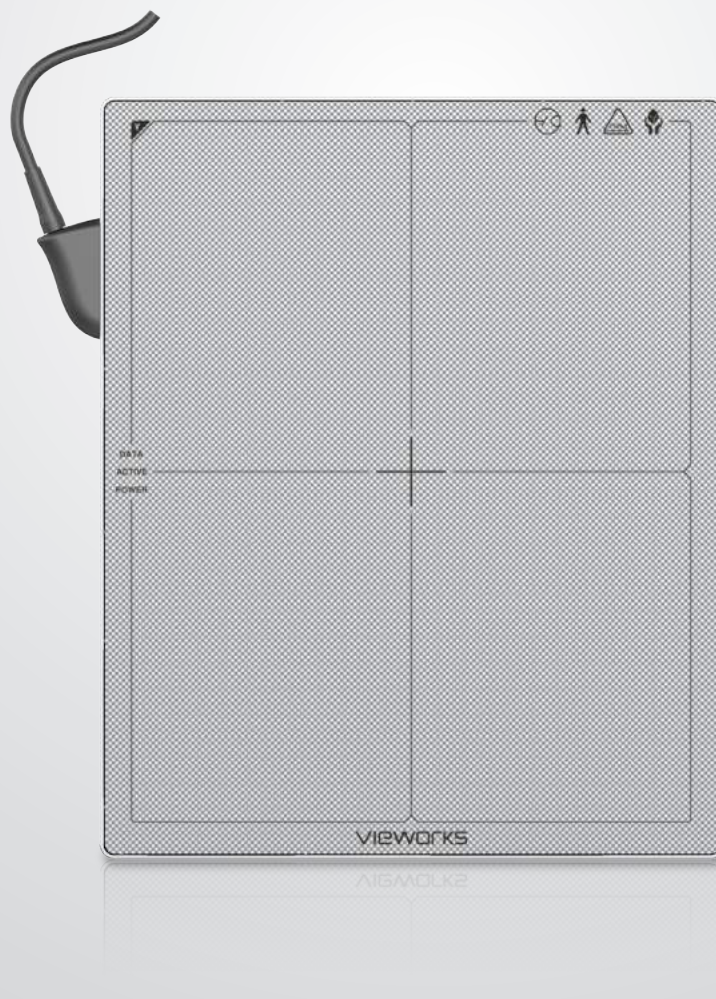


# VIVIX-S 1012N

Portable Small-Size Flat Panel Detector for Digital Radiography



anytime™

Stable and reliable AED  
(Automatic Exposure  
Detection)



High image quality



Easy installation

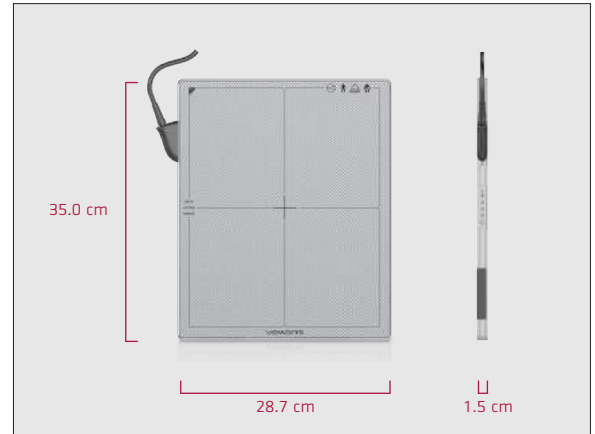


Cost-effective  
solution

## Features

- Active area of 10" x 12"
- High spatial resolution with 124 $\mu$ m pixel array
- Stable and reliable automatic exposure detection (Anytime™)
- Communication interface through Gigabit Ethernet (1000 BASE-T)
- Viewer software running on Windows™ OS (VXvue™)
- Various applications such as General Radiography and Podiatric X-ray systems

## Drawing



## Technical Specifications

Model Name	FXRD-1012NA	FXRD-1012NB
Technology	a-Si TFT with photodiode	
Scintillator	CsI:TI	Gd <sub>2</sub> O <sub>2</sub> S:Tb
Pixel Pitch	124 $\mu$ m	
Spatial Resolution	4.0 lp/mm	
Pixels	2048 x 2560 pixels	
Image Size	10" x 12" (25.4 cm x 31.7 cm)	
Grayscale	16 bit	
Image Acquisition Time	1.5 s	
Recommended Cycle Time	15 s	
Data Interface	Gigabit Ethernet	
X-ray Generator Interface	Line trigger: DR trigger Mode Auto trigger: AED Mode	
Dimensions	28.7 cm x 35.0 cm x 1.5 cm	
Weight	2 kg	
Dust and Water Resistant	IP53	
X-ray Voltage Range	40 – 150 kVp	
Operating Environment	10°C to 35°C 30 % to 85 % RH (non-condensing)	
Power	DC 24 V, 0.8 A	

\* Specifications are subject to change without prior notice.